

For reference only. See data sheet for the detailed specifications.

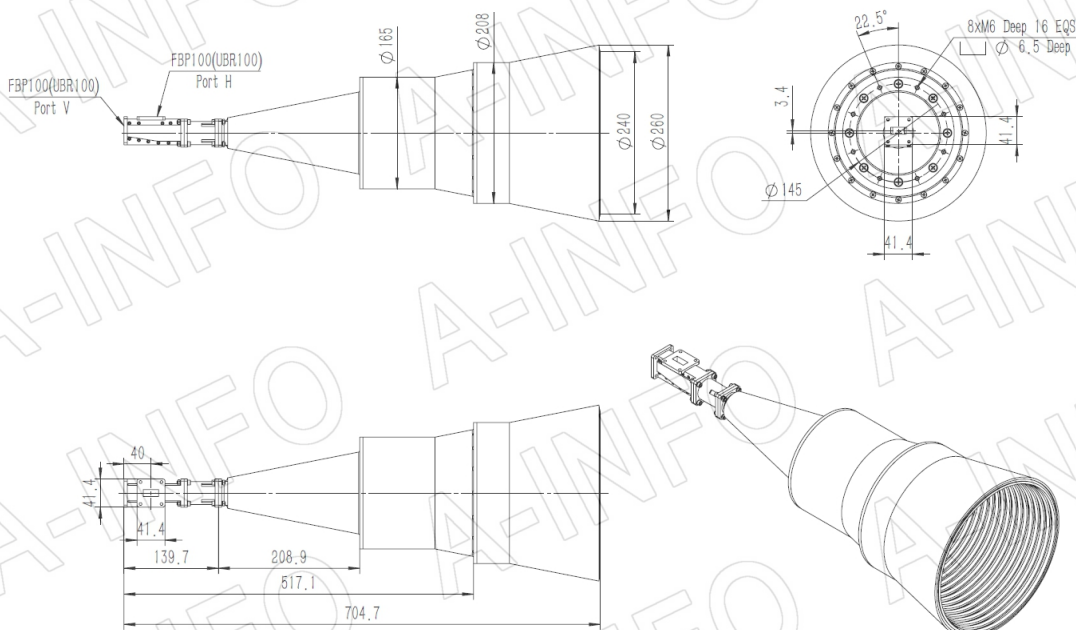
Technical Specification



| | |
|----------------------------|---|
| Frequency Range(GHz) | 9.3 – 12.4 |
| Waveguide | WR90 |
| Gain(dBi) | 25 Typ. |
| Polarization | Dual Linear |
| 3dB Beamwidth(deg) | E Plane: 9.5 Typ. |
| | H Plane: 9.5 Typ. |
| Cross Pol. Isolation(dB) | 45 Typ. ; 35 Min. |
| Port to Port Isolation(dB) | 50 Typ. ; 40 Min. |
| VSWR | A Type: 1.50:1 Typ. |
| | C Type: 1.60:1 Typ. |
| Output | A Type: FBP100(UBR100) |
| | C Type: SMA-Female or N-Female or TNC-Female or 7mm or 3.5mm-Female |
| Material | Al |
| Finish | Silver Plated and Chemical Conversion Coating, Gray Paint |
| Size(mm) | A Type: 260 x 260 x 704.7 |
| | C Type: 260 x 260 x 742.7 |
| Net Weight(Kg) | A Type: 6.30 Around |
| | C Type: 6.43 Around |

Outline Drawing (Size: mm)

FBP100 Output (P/N: LB-CH-90-25-T26-A)



AINFO Inc.

China(Beijing): Tel: (+86) 10-6266-7326,
 China(Chengdu): Tel: (+86) 28-8519-2786,
 USA: Tel: (+1) 949-639-9688,

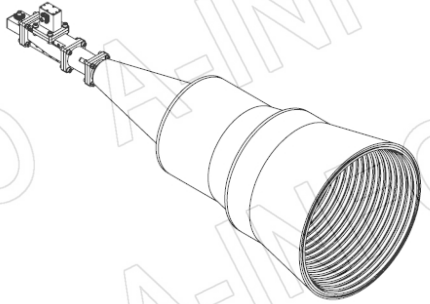
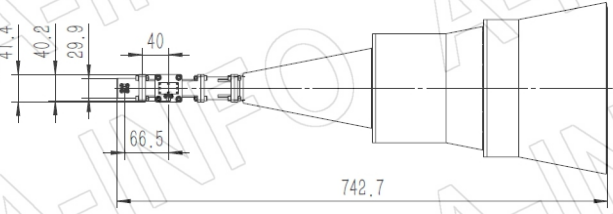
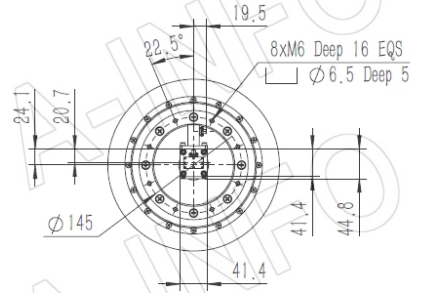
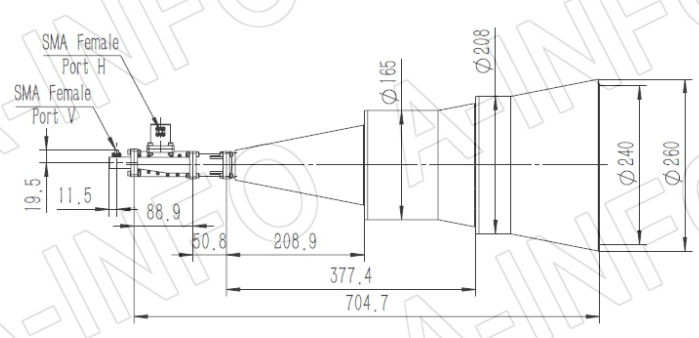
Page 1 of 13

(+86) 10-6266-7327 Fax: (+86) 10-6266-7379
 (+86) 28-8519-3044 Fax: (+86) 28-8519-3068
 (+1) 949-639-9608 Fax: (+1) 949-639-9670

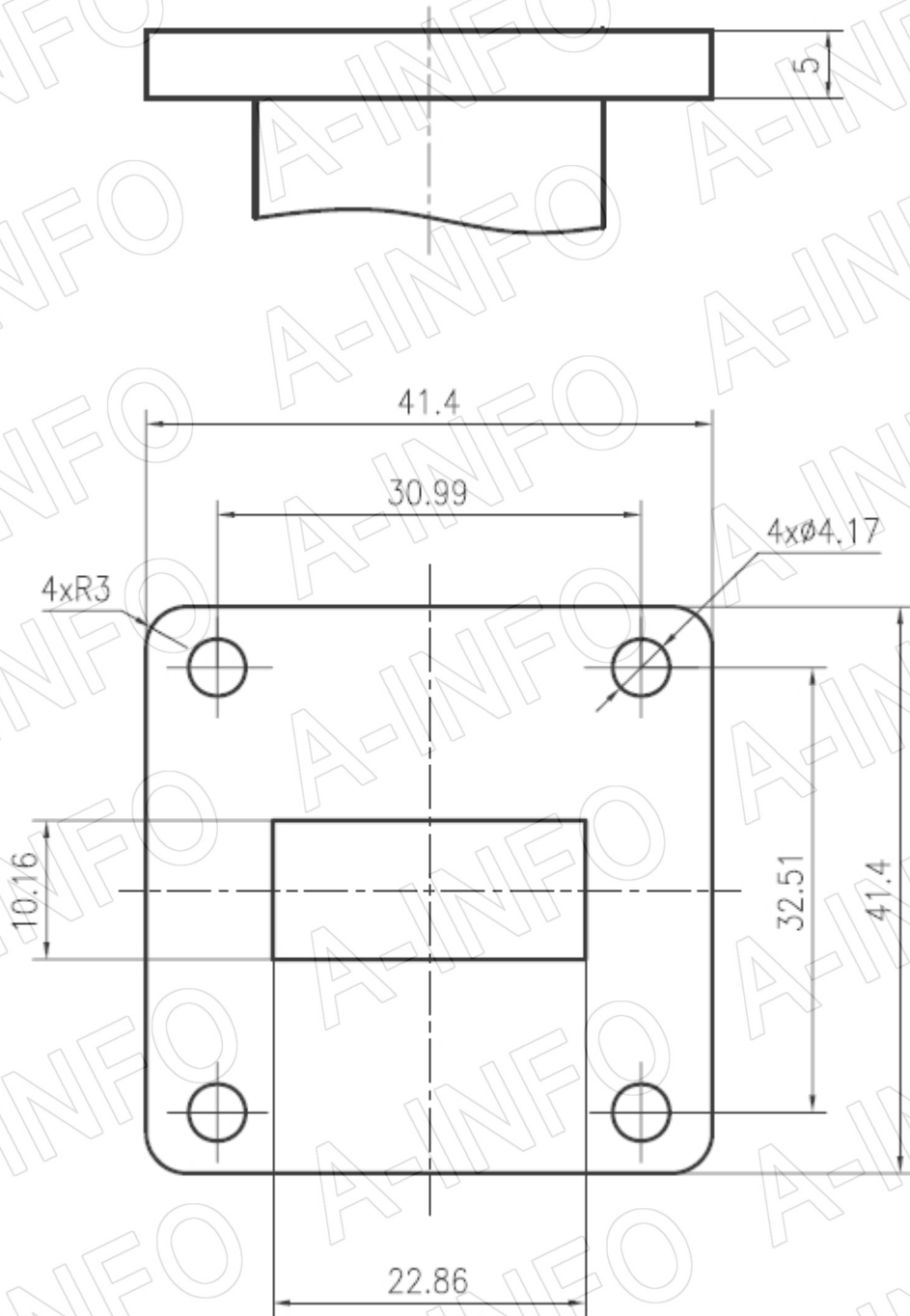
Website: www.ainfoinc.com
 Email: sales@ainfoinc.com

SMA-Female Output (P/N: LB-CH-90-25-T26-C-SF)

For N-Female, TNC-Female, 7mm or 3.5mm-Female output outline drawing, please contact A-INFO.



Flange Drawing (Size: mm)



FBP100

AINFO Inc.

China(Beijing): Tel: (+86) 10-6266-7326,
China(Chengdu): Tel: (+86) 28-8519-2786,
USA: Tel: (+1) 949-639-9688,

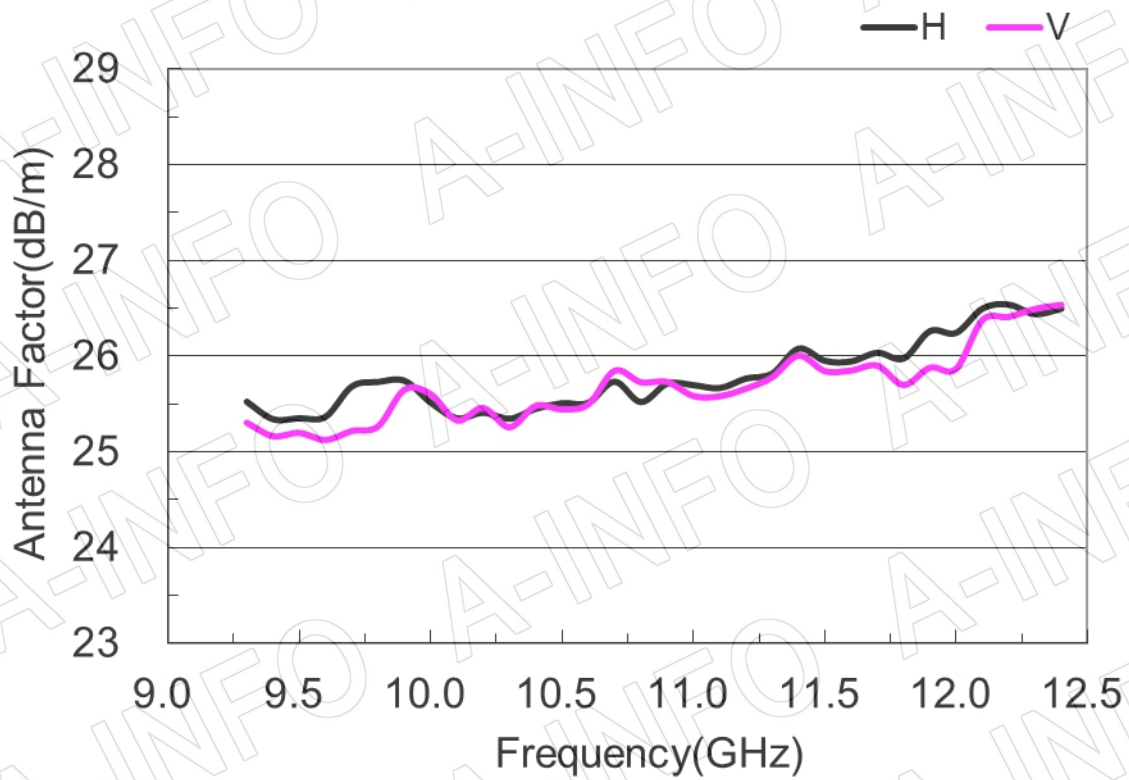
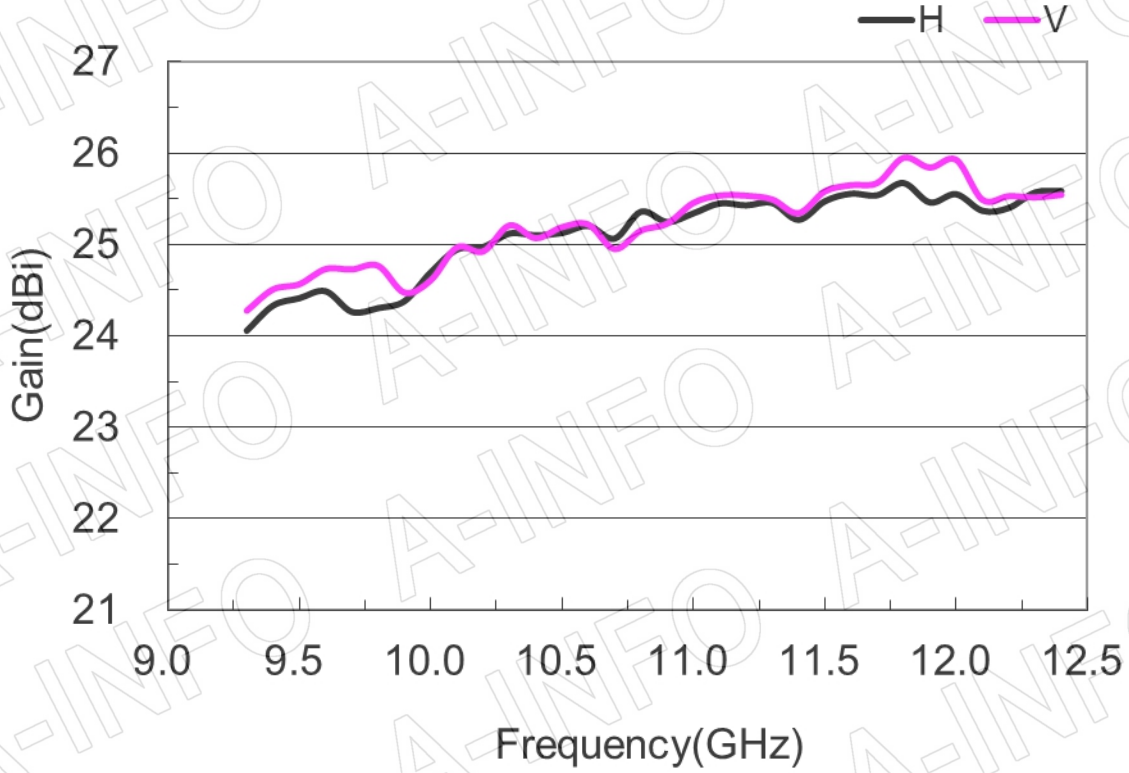
Page 3 of 13

(+86) 10-6266-7327 Fax: (+86) 10-6266-7379
(+86) 28-8519-3044 Fax: (+86) 28-8519-3068
(+1) 949-639-9608 Fax: (+1) 949-639-9670

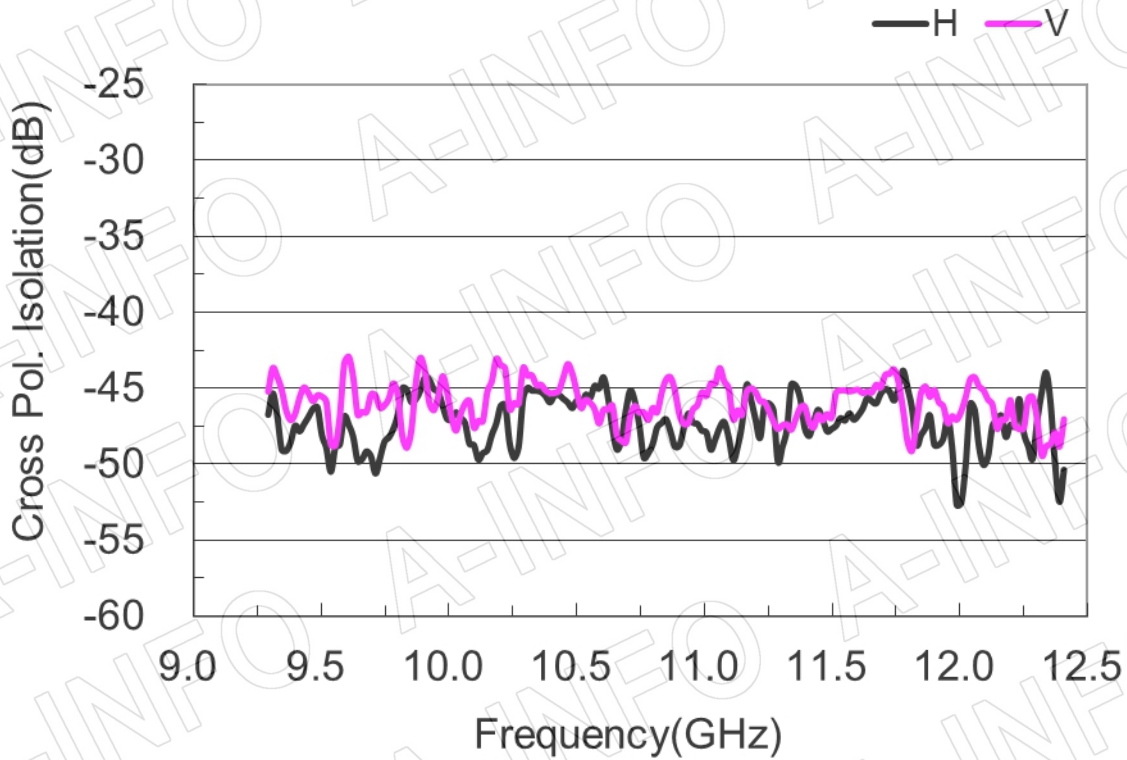
Website: www.ainfoinc.com
Email: sales@ainfoinc.com

Test Results

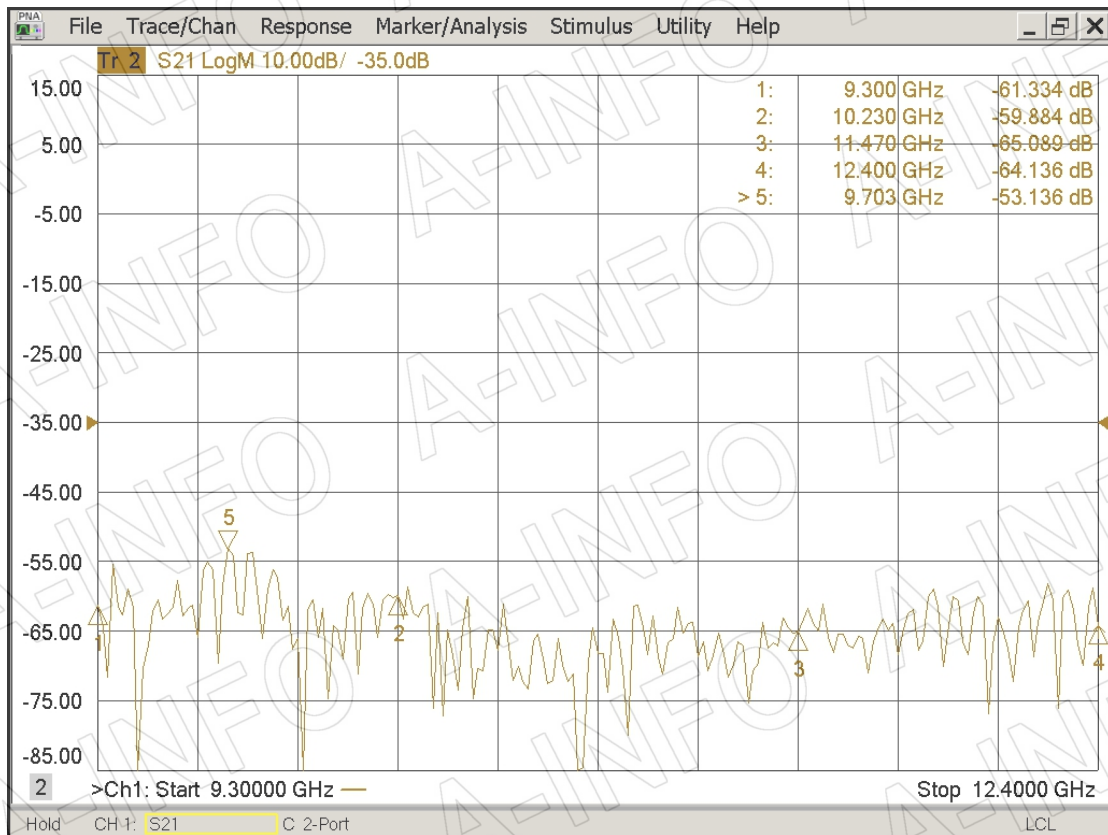
1. Gain & Antenna Factor



2. Cross Polarization Isolation

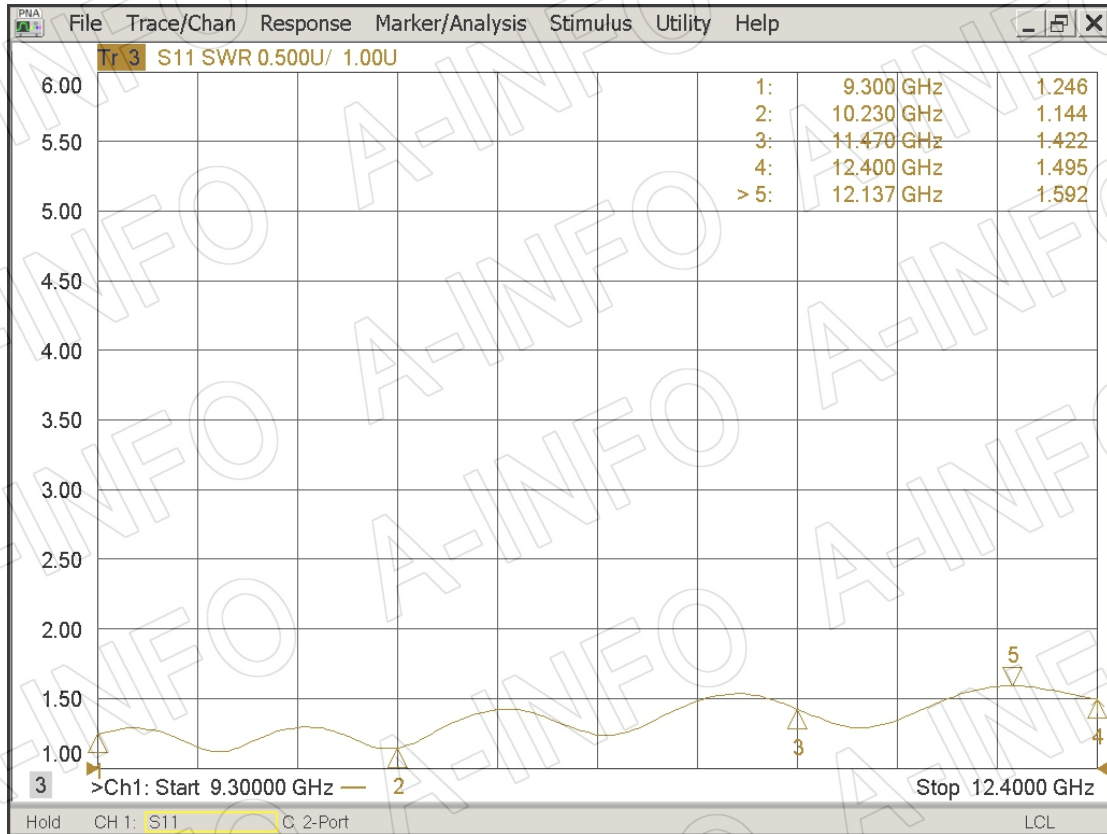


3. Port to Port Isolation

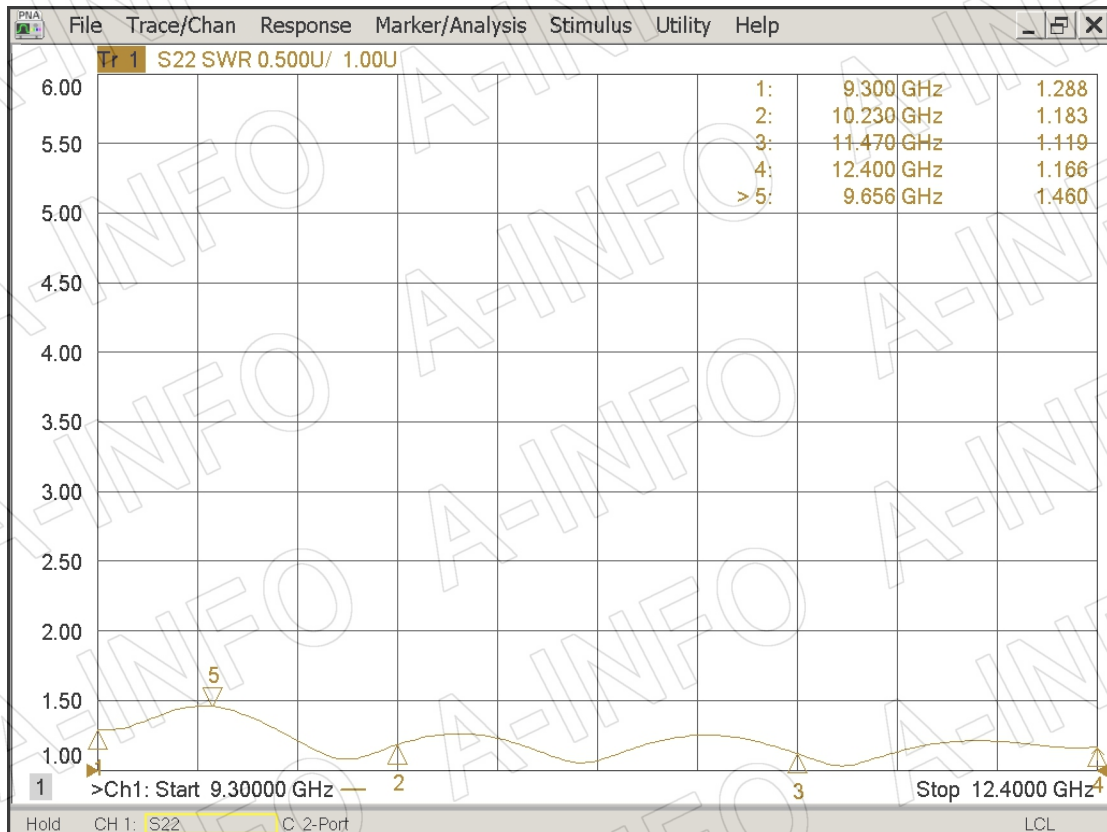


4. VSWR_A Type

Port-H

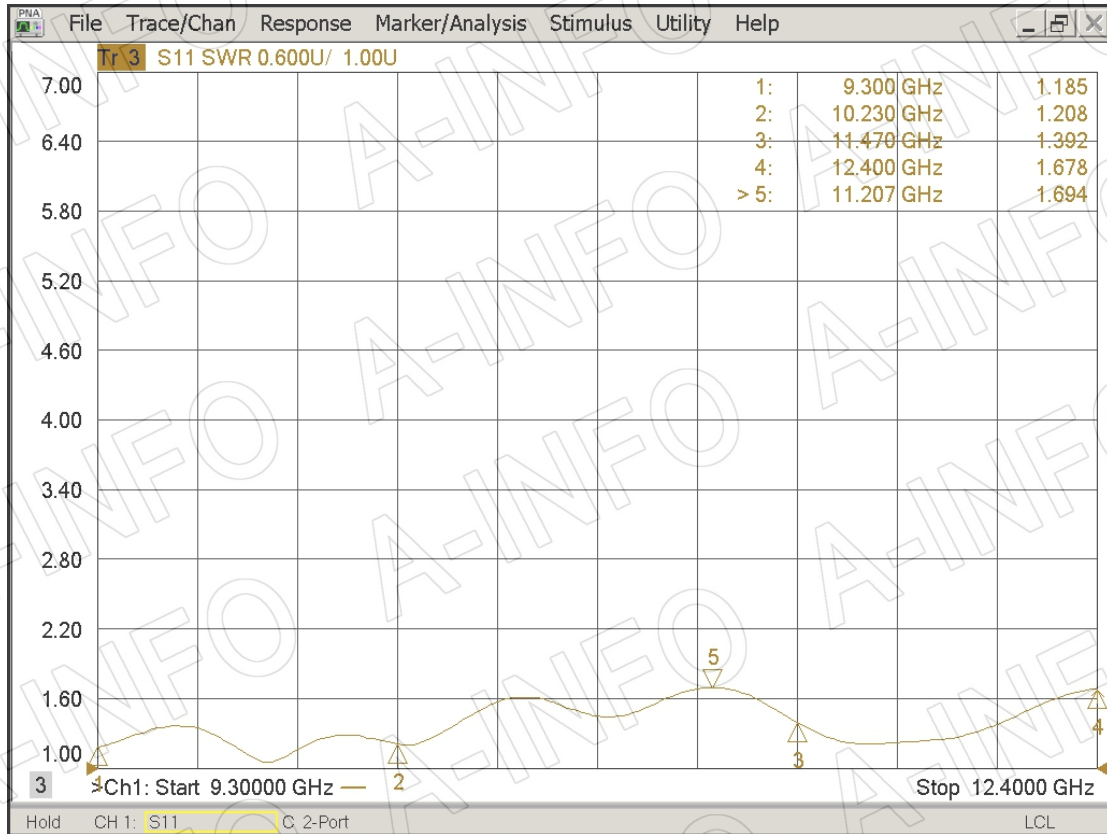


Port-V

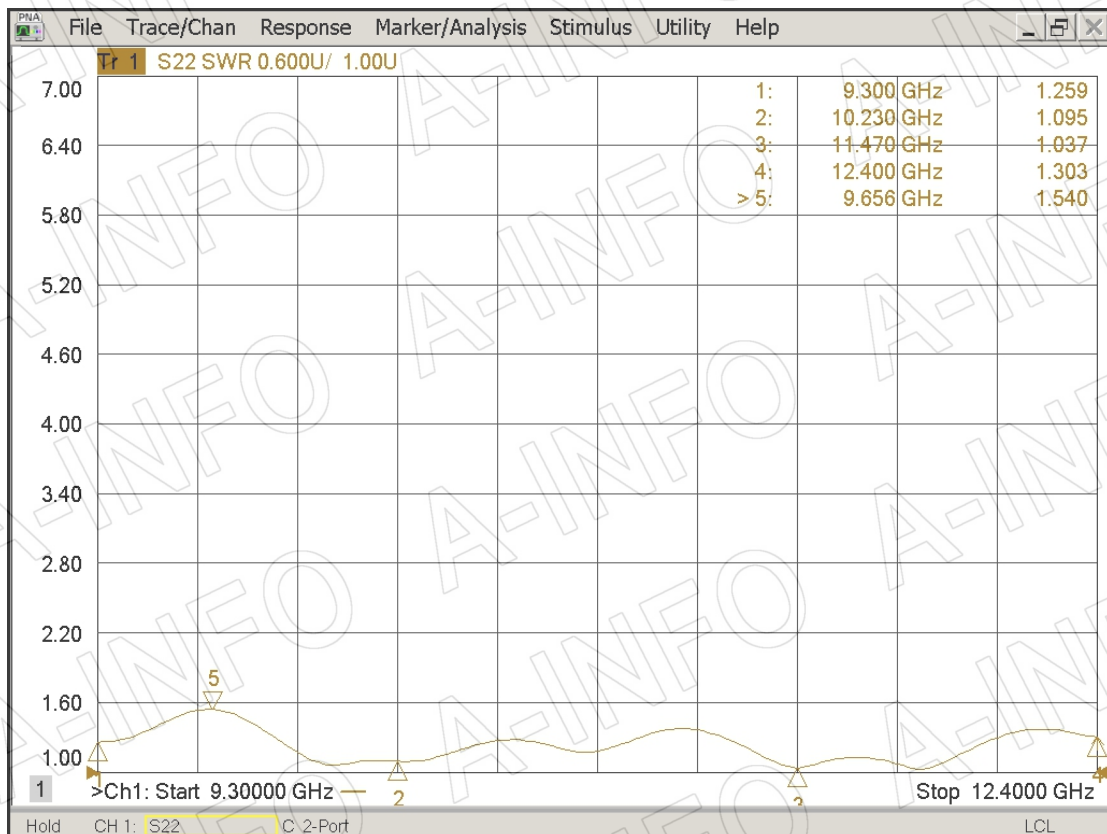


VSWR_C Type

Port-H



Port-V



5. Pattern Port-H

